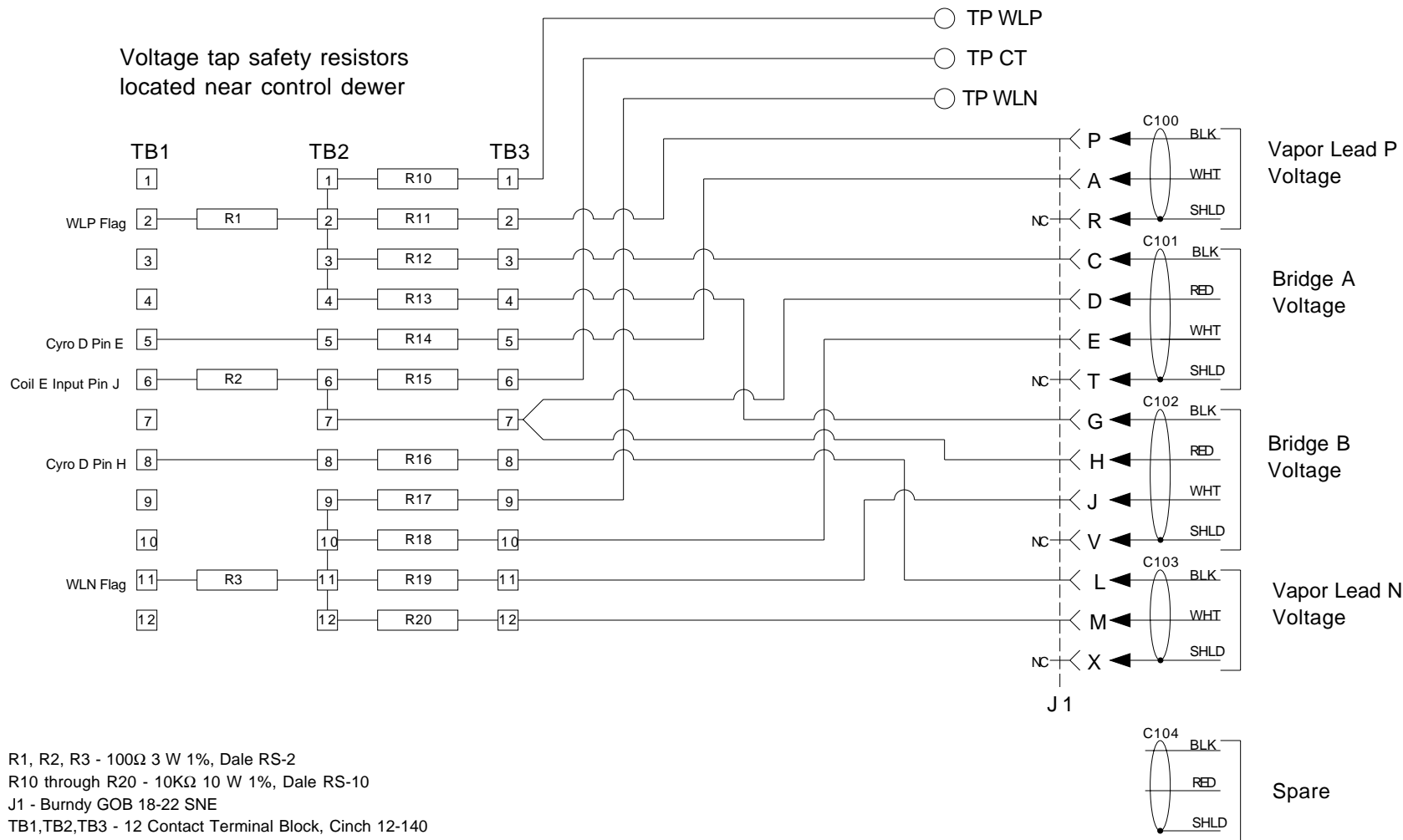



Voltage tap safety resistors located near control dewar



R1, R2, R3 - 100Ω 3 W 1%, Dale RS-2  
 R10 through R20 - 10KΩ 10 W 1%, Dale RS-10  
 J1 - Burndy GOB 18-22 SNE  
 TB1,TB2,TB3 - 12 Contact Terminal Block, Cinch 12-140

- C100, C103 is Belden # 83320
- C101, C102 is Belden # 83335
- C104 is Belden #88761
- All shields terminate at NIN bin
- Terminal blocks and resistors mounted on 3/32" G-10 base plate
- All internal wiring AGW#20 TFE insulated
- External test points mounted on 3/32" G-10 plate with minimum of 0.75 in. creepage path between each other and ground
- Burndy bulkhead connectors J1 connected to local earth ground through 1 Meg 1 W resistor with a parallel 1000 pf 3KV capacitor

<b>Originator:</b> W. Jaskierny <b>Drawn by:</b> W. Jaskierny		 <b>Fermilab Particle Physics Division</b> <b>Site Support Group</b>		
<b>Originated:</b> 23 Jan 2002 <b>Last Revision:</b> 16 Mar 2002	<b>Size:</b> A	<b>FSCH No:</b> U of Ill NPL	<b>DWG No:</b>	<b>Rev:</b>
<b>Issued:</b> 19 Jun 2002	<b>Scale:</b>	<b>Project:</b> G Zero	<b>Sheet:</b> 7 of 7	