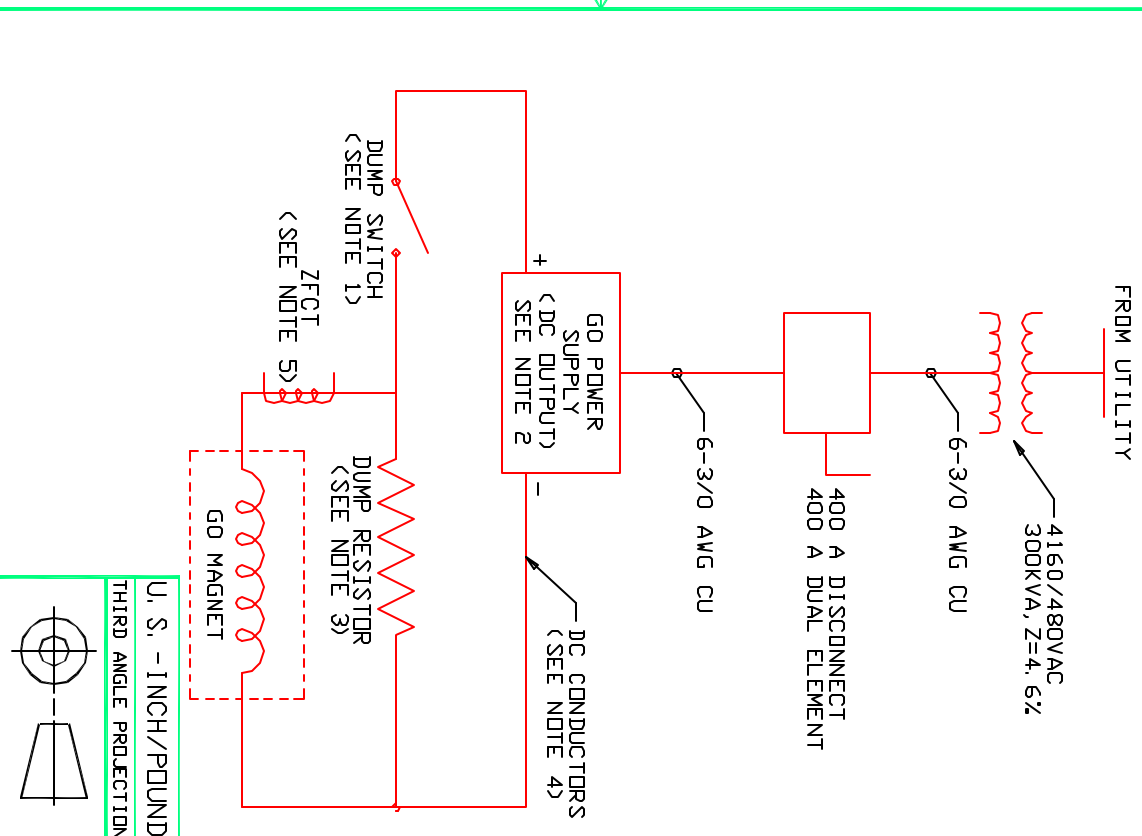
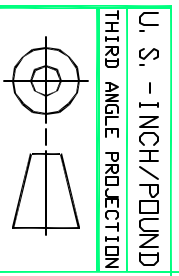


REVISIONS		
REV	DESCRIPTION	DATE



NOTES:

- HIGH SPEED DC BREAKER MFG. BY SECHERON, MODEL HPB 60-81, RATINGS: 1000V, 6000 AMPERE, DIRECT INSTANTANEOUS OVERCURRENT RELEASE W/ADJUSTABLE TRIP SETTING BETWEEN 3KA AND 7KA, MAGNETIC HOLDING, 110VDC ACTUATING COIL.
- POWER SUPPLY MFG. BY DYNAPOWER, INPUT: 480VAC, 3 PHASE, 60 HZ, 420KVA, 500 AMPERE OUTPUT: 40VDC, 320KW, 8000 AMPERE EFFICIENCY: 90%, RIPPLE: 5%, POWER FACTOR: 85
- DUMP RESISTOR MFG. BY POST GLOVER, 0.05 OHMS±10%, 6.63 MJ, DISCHARGING 500DA TD 0 IN 10.6 SEC.
- DC CONDUCTORS ARE MFG. BY FLEX CABLE, 6000MCM WITH WATER COOLED JACKET.
- ZFCT IS MONITORED BY GO POWER SUPPLY.



UNLESS OTHERWISE SPECIFIED DIMENSIONS ARE IN INCH-POUNDS		TOLERANCE OF DECIMALS		TOLERANCE OF WHOLE NUMBERS = ± .06	
DRAWN BY		DATE		TITLE	
CHECKED BY		DATE		GO	
ENGR		DATE		CHARGING CIRCUIT	
SYS. ENGR MGR		DATE		SCHEMATIC	
N. H. A.		DATE		GO	
SCALE: NONE		DRAWING NO.		REV	
B 3L399		GO-BW-7014		-	
SHEET 1 OF 1		SHEET 1 OF 1		SHEET 1 OF 1	

THIS IS A CAD GENERATED DRAWING. DO NOT MAKE MANUAL REVISIONS OR ALTERATIONS.

CONTRACT NO. F74

APPROVALS

DATE 11-10-00

U. S. - INCH/POUND THIRD ANGLE PROJECTION

1. BREAK ALL SHARP EDGES
2. DO NOT SCALE THIS DRAWING.
3. DIM. TO ANST Y14.2M - 1982.
4. MAX. ALL MACHINED SURFACES
5. INTOLERANCED DIMENSIONS LOCATING TRUE POSITION ARE BASIC.

1/8"

UNLESS OTHERWISE SPECIFIED DIMENSIONS ARE IN INCH-POUNDS

TOLERANCE OF DECIMALS

TOLERANCE OF WHOLE NUMBERS = ± .06

GO

CHARGING CIRCUIT

SCHEMATIC

GO

BWX TECHNOLOGIES
LYNCHBURG, VIRGINIA 24505

SIZE PAGE CODE B 3L399

DRAWING NO. GO-BW-7014

REVISIONS

SHEET 1 OF 1